



* Actual product appearance may differ from the above simulated scene.

Pro:Centric[®] Value Hospitality TV with Pro:Idiom[®] and Embedded *b*-LAN[™]

LT570H Series

Commercial Lite	Pro:Centric Value	Pro:Centric Direct	Pro:Centric Smart
-----------------	--------------------------	--------------------	-------------------

The LT570H Series features reliable FHD resolution that creates crystal clear pictures. It has LG Pro:Centric technology, which offers Java tools for partners to create interactive applications with increased visual appeal. These features enable delivery of a wide range of unique experiences tailored to both hotel management and guests' needs.

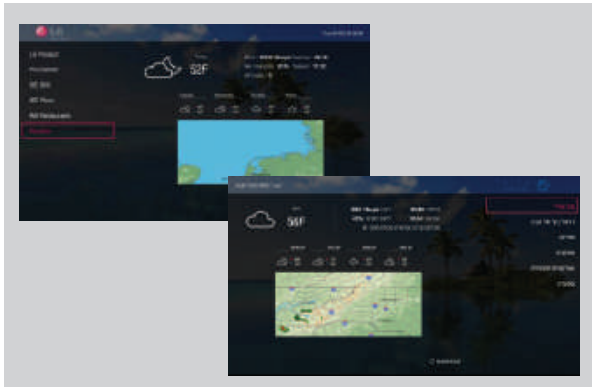
Pro:Centric Value Hospitality TV with Pro:Idiom and Embedded b-LAN

LT570H SERIES

KEY FEATURES

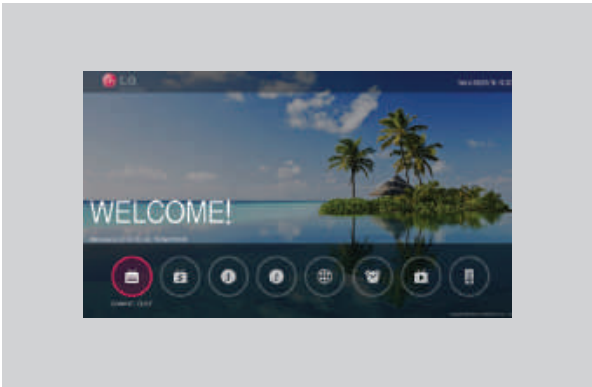
Dozens of Languages

This series supports 39 languages (including Hebrew, Arabic and Farsi) and language alignment, making guests from around the world feel more at home and comfortable.



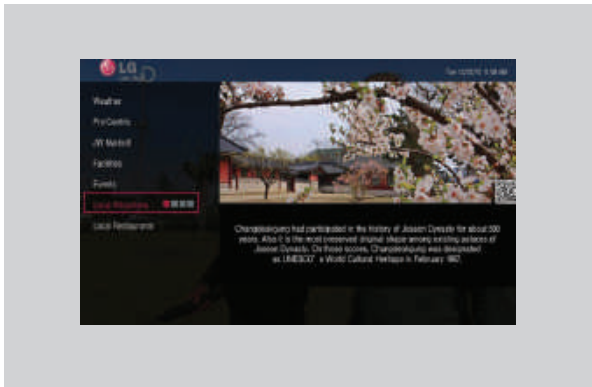
Basic & Easy-to-Use Templates

Pro:Centric Application (PCA) provides basic, easy-to-use templates that can be selected based on customer preference.



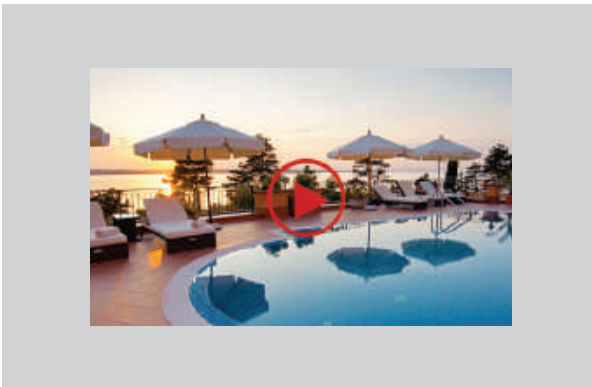
Customizable Template & Pages

Choose alternative looks for billboards based on your preferences, and edit multiple sections with up to 40 pages of billboards by yourself with this web-based tool.



Multi-Channel Spooling

Operation of up to eight hotel channels (22 sub-channels) offers programming flexibility, customized content and additional services.



Pro:Centric Value Hospitality TV with Pro:Idiom and Embedded *b*-LAN

LT570H SERIES

KEY FEATURES

Pro:Idiom

Digital Rights Management (DRM) technology unlocks access to premium content to help assure rapid and broad deployment of HDTV and other high-value digital content.



Commercial Swivel Stand

The LT570H commercial grade stand swivels to allow guests to view the TV from virtually any angle and can easily be fastened to a tabletop for security purposes.



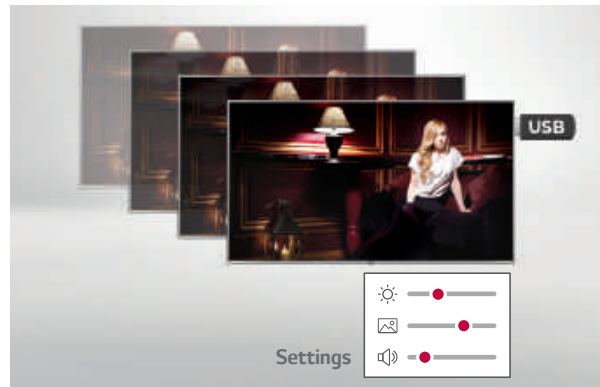
Self Diagnostics via USB

The LT570H TV Series stores 24-hour diagnostic data, which can be saved to a USB memory device, enabling service engineers to identify technical issues quickly and easily.



USB Data Cloning

For fast and easy configuration of multiple TVs, create a Master TV Setup on one TV and then export the setup "clone" file to a USB memory device. Use the USB device to easily import the setup to other TVs of the same model.



Pro:Centric Value Hospitality TV with Pro:Idiom and Embedded *b*-LAN

LT570H SERIES

KEY FEATURES

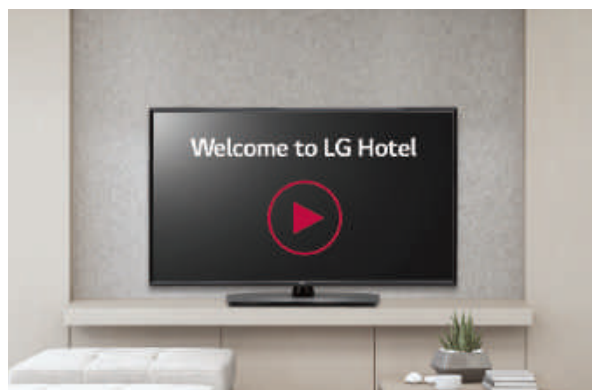
EZ-Manager

EZ-Manager provides a convenient installation function to automatically choose settings for the Pro:Centric TV without any extra configuration.



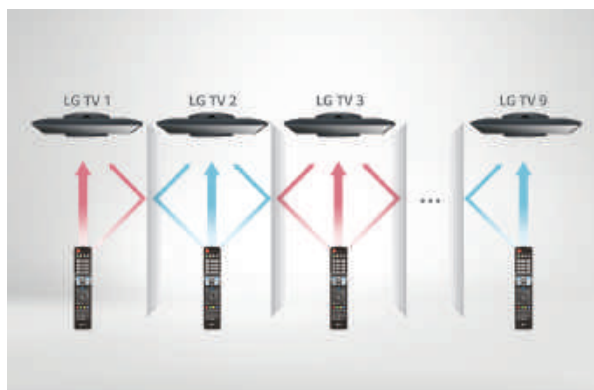
Welcome Screen

Display a warm greeting message with your hotel name and logo on the TV when it is turned on. The welcome screen provides an inviting, personalized experience for your guests.



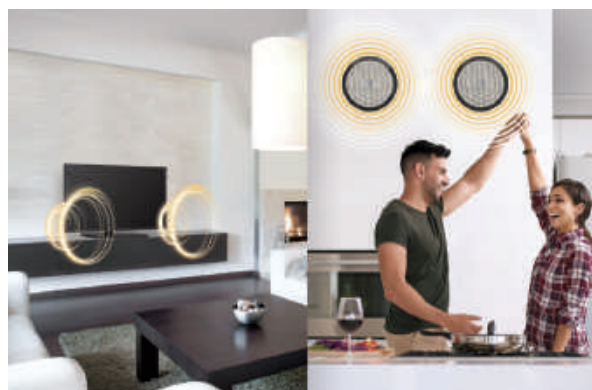
Multi-code IR

Multi-code IR function eliminates any remote control signal interference between TVs in rooms with multiple TVs installed.



External Speaker Out

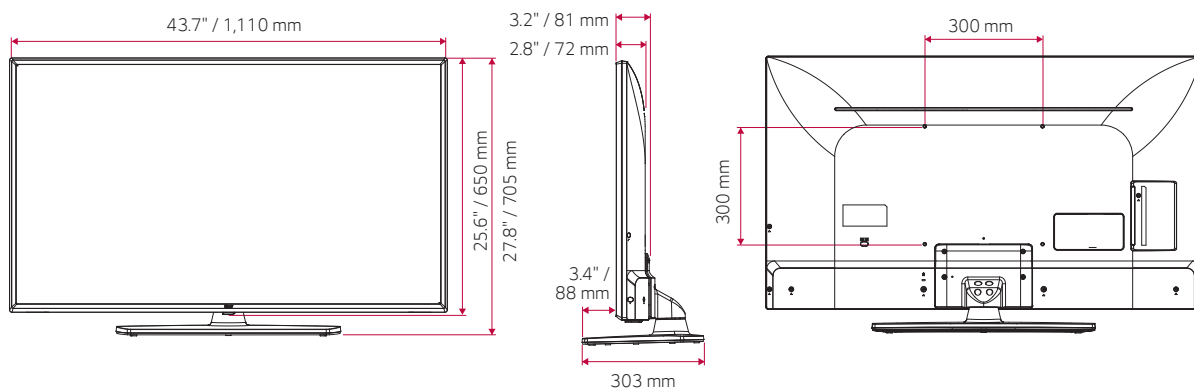
Enhance the entertainment experience with an additional speaker (sold separately). Guests can listen to the TV audio from other rooms within their suite, not only the room where the TV is located.



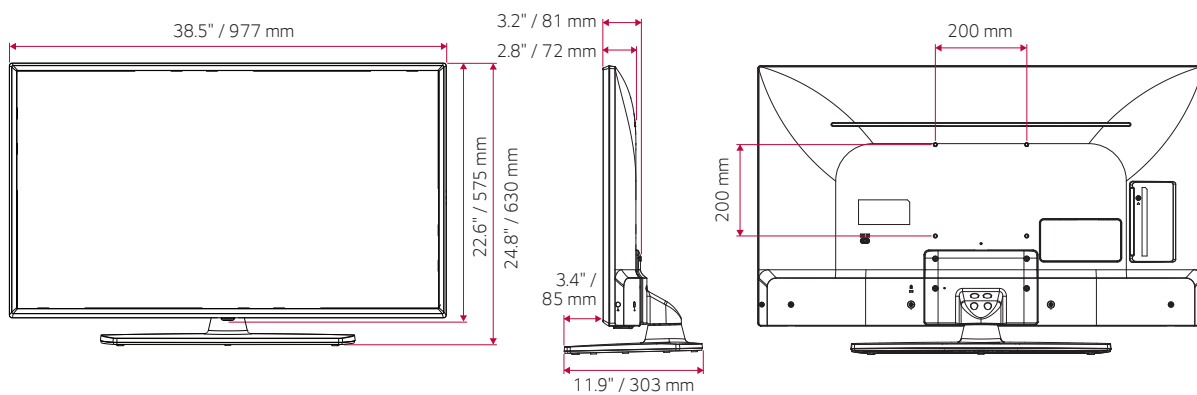
LT570H SERIES

DIMENSIONS

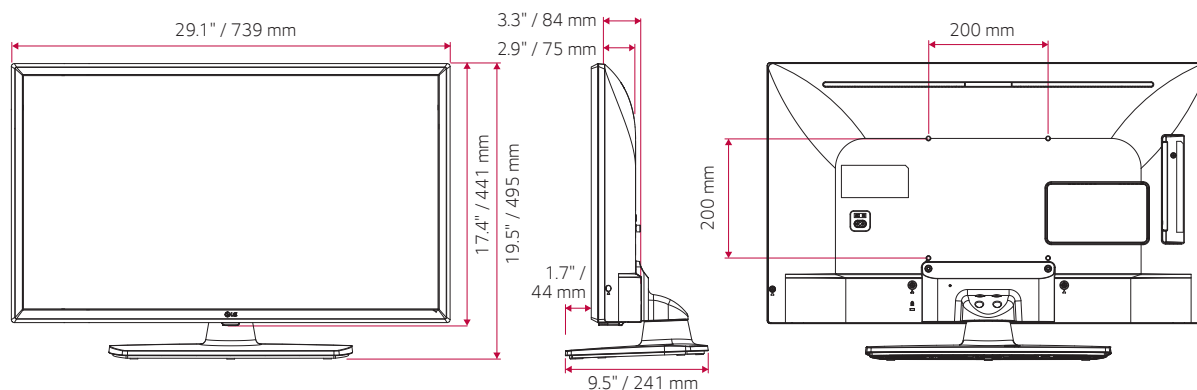
49"



43"



32"



Pro:Centric Value Hospitality TV with Pro:Idiom and Embedded *b*-LAN

LT570H SERIES

SPECIFICATIONS

	49LT570H0UA	43LT570H9UA	40LT570H-UA	32LT570H9UA
DISPLAY	Diagonal Size		43"	32"
	Resolution		1,920 x 1,080 (FHD)	1,366 x 768 (HD)
	Backlight Unit Type		Direct BLU	Direct BLU
	Brightness		400 nits	240 nits
	TruMotion / Refresh Rate		60 Hz	60 Hz
	Life Span		30,000 hours	30,000 hours
	HDR HLG		Yes	Yes
AUDIO	Speaker (Sound Output)		10 W + 10 W	5 W + 5 W
	Speaker System		2.0 ch	2.0 ch
	LG Sound Sync		Yes	Yes
HOSPITALITY	HCAP (GEM / FLASH / HTML)		GEM	GEM
	Pro:Centric Application (Version)		Yes (PCA 3.8)	Yes (PCA 3.8)
	Pro:Centric Server		PCS400R / PCS200S	PCS400R / PCS200S
	Pro:Idiom DRM		HW Type	HW Type
OTHER FEATURES	Clock and Alarm	EOL	Yes	Yes
	LG Sound Sync / Bluetooth		Yes	Yes
	EZ-Manager		Yes	Yes
	USB Cloning		Yes	Yes
	Update Time		Yes	Yes
	Diagnostics		Yes (USB)	Yes (USB)
	SI Compatible (TVLink Interactive)		Yes (MPI, RS-232C)	Yes (MPI, RS-232C)
	HTNG-CEC		Yes (1.4)	Yes (1.4)
	Simplink (HDMI-CEC)		Yes (1.4)	Yes (1.4)
	IR Out		Yes (MPI, RS-232C)	Yes (MPI, RS-232C)
	Multi-code IR		Yes	Yes
	Hotel Mode / PDM / Installer Menu		Installer Menu	Installer Menu
	Welcome Screen (Boot Logo)		Yes	Yes
	One Channel Map		LCM	LCM
	External Speaker Out (Stereo)		Yes	Yes
	Instant On		Yes	Yes
	RJP (Remote Jack Pack) Compatibility		Yes (LG, HDMI CEC)	Yes (LG, HDMI CEC)
	Auto Off / Sleep Timer		Yes / Yes	Yes / Yes
	Smart Energy Saving		Yes	Yes
	Motion Eye Care		Yes	Yes
TV Reception		ATSC / QAM / VSB / Analog NTSC	ATSC / QAM / VSB / Analog NTSC	
<i>b</i> -LAN Embedded		Yes	Yes	

Pro:Centric Value Hospitality TV with Pro:Idiom and Embedded *b*-LAN

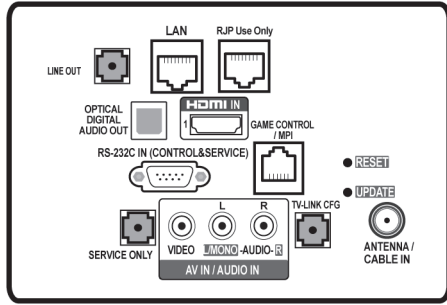
LT570H SERIES

SPECIFICATIONS

		49LT570H0UA	43LT570H9UA	40LT570H-UA	32LT570H9UA
INTERFACES	HDMI In		3 (1.4)		3 (1.4)
	USB		1 (2.0)		1 (2.0)
	RF In		1 (Single <i>b</i> -LAN)		1 (Single <i>b</i> -LAN)
	AV In		1 (RCA3 Type)		1 (RCA3 Type)
	Digital Audio Out		Optical		Optical
	LAN (RJ45)		1 (Pro:Centric)		1 (Pro:Centric)
	RJP Interface		Yes		Yes
	Line Out (3.5 mm Stereo Jack)		Yes		Yes
	TV Link Configuration (3.5 mm Stereo Jack)		Yes (Configure <i>b</i> -LAN)		Yes (Configure <i>b</i> -LAN)
	MPI Port (RJ12)		Yes		Yes
MECHANICALS	Front Color		Ceramic Black		Ceramic Black
	VESA Compatible		200 x 200		200 x 200
	Kensington Lock		Yes		Yes
	Credenza / Security Screw Hole		Yes		Yes
	Lock Down Plate		Yes		Yes
	Weight without Stand		17.6 lbs / 8.0 kg		10.8 lbs / 4.9 kg
	Weight with Stand		24.7 lbs / 11.2 kg		13.4 lbs / 6.1 kg
	Shipping Weight		30.6 lbs / 13.9 kg		16.3 lbs / 7.4 kg
	Dimensions without Stand (Depth to Back VESA Location)		38.5" x 22.6" x 2.8" 977 x 575 x 72 mm		29.0" x 17.4" x 3.0" 739 x 441 x 75 mm
	Dimensions without Stand (Depth to Back of Speaker)		38.5" x 22.6" x 3.2" 977 x 575 x 81 mm		29.0" x 17.4" x 3.3" 739 x 441 x 84 mm
Dimensions with Stand		38.5" x 24.8" x 11.9" 977 x 630 x 303 mm		29.1" x 19.5" x 9.5" 739 x 495 x 241 mm	
Shipping Dimensions		45.2" x 26.0" x 6.9" 1,147 x 660 x 175 mm		35.7" x 20.9" x 6.4" 905 x 530 x 162 mm	
POWER	Power Supply (Voltage, Hz)		120 V, 50 / 60 Hz		120 V, 50 / 60 Hz
	Power Consumption (Max)		88 W		50.6 W
	Power Consumption (Typical)		60 W		36.5 W
	Power Consumption (Standby)		Less than 0.5 W		Less than 0.5 W
ACCESSORIES	Remote Type		L-Con		L-Con
	Chromecast Anti-theft Cover		Yes		Yes
	Power Cable		Yes (1.8 m, RA Type)		Yes (1.8 m, RA Type)
WARRANTY & OTHER	Standards		UL		UL
	EMC Certification		FCC		FCC
	Warranty		Two-Year Limited Warranty		Two-Year Limited Warranty
	UPC		1 95174 02335 8		1 95174 02341 9

CONNECTIVITY

49" / 43" / 40" / 32"



Design and specifications are subject to change without notice. Please contact your LG sales team to verify before ordering.



- 🌐 www.lg.com/us/business/commercial-display
- 🐦 [www.twitter.com/LGCommDisplays](https://twitter.com/LGCommDisplays)
- 📘 www.facebook.com/LGcommercialdisplays
- 🌐 www.linkedin.com/company/lg-commercial-displays-usa
- 📺 www.youtube.com/lgcommercialdisplayusa
- ☎️ 800-228-1236 | Hospitality Sales

LG may make changes to specifications and product descriptions without notice.
 © Copyright 2020 LG Electronics USA, Inc. All rights reserved. LG and the LG logo are registered trademarks of LG Corp.
 The names of products and brands mentioned here may be the trademarks of their respective owners.
 LG_SPEC_SHEET_LT570H_1220SD_LR

